

## Type PL

**Pressureless vessels  
For gravity feed applications**

Standard pressureless vessels are made of 2mm thick stainless steel 304 grade and fitted with a stainless steel ball valve.

This ensures that materials contained cannot cause corrosion.

If required, stainless steel 316 and different surface finish can also be supplied.

Special and custom versions can be manufactured for specific requirements.

All models can also be fitted with air agitators and low level sensor.



2000ML-PL



7500ML-PL



1650CL-PL

Technical data - Standard Pressureless Vessels			
Type	2000ML-PL*	7500ML-PL*	1650CL-PV*
Capacity (Litres)	2	7.5	16.5
Body Outer Diameter (mm)	120	203.2	203.2
Overall height (mm)	350	400	700
Height without lid and valve (mm)	200	250	550
Stainless steel ball valve	1/4NPT	1/4NPT	1/4NPT
Mounting bracket	150x80x3	150x80x3	350x120x3
Mounting holes	3x Ø10mm	3x Ø10mm	3x Ø10mm

\* Available in stainless steel 304 & 316

Subject to change without notice

For more information, please contact us at [technical@sr-tek.com](mailto:technical@sr-tek.com)

## Type PL

### Options and custom versions

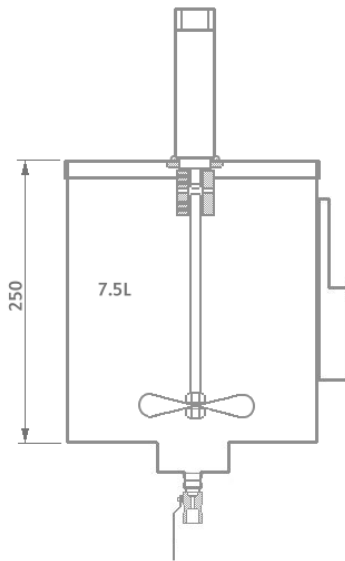
Options include:

- 1/2" NPT Ball valve
- agitator with air motor
- different mixing blade design
- low level float switch
- contactless low level sensor
- Additional ports

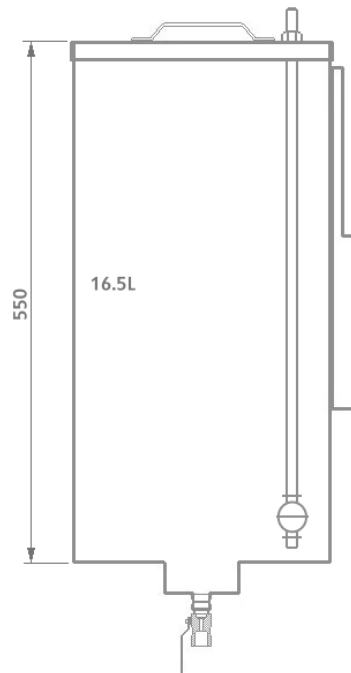
Custom versions can be manufactured for specific requirements.

Our standard other sizes include:

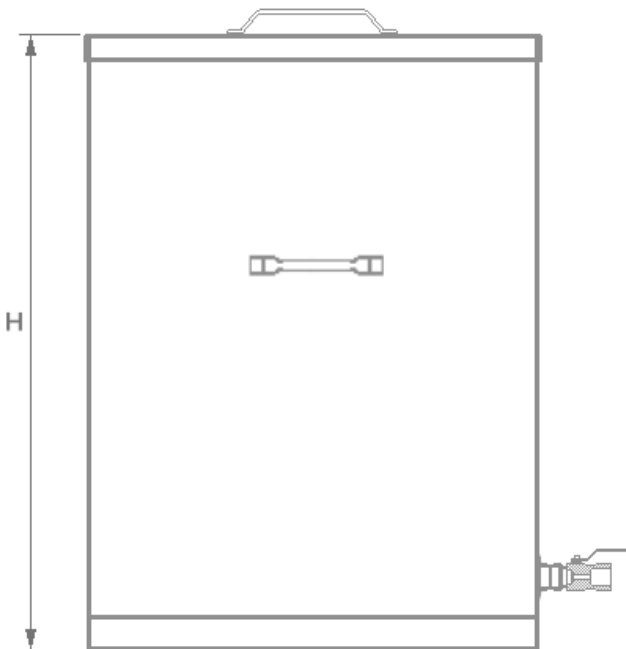
- 25L
- 50L
- 100L



7500ML-PL with air agitator



1650CL-PL with low level Float switch



### Standard and custom sizes

Volume	OD	H
25L	400	363
50L	400	563
100L	500	663
Other sizes available on requests		

All dimensions are in mm. Available in stainlesssteel 304 & 316